



PK Series



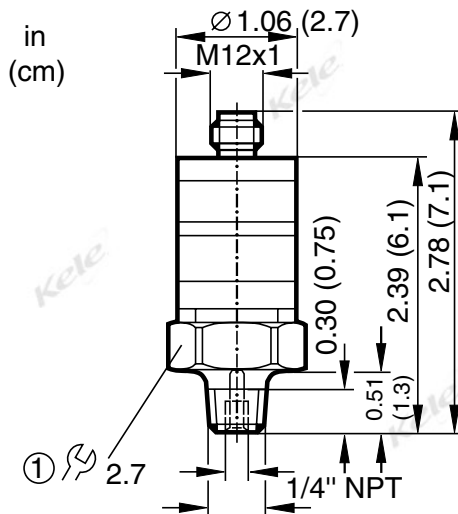
DESCRIPTION

The IFM Efector PK Series is a low cost series of **pressure switches**. Each switch uniquely features a set of two radial dials for set point and reset. The **PK Series** has one normally open and normally closed contact and a green LED for power indication and a yellow LED for switching status. Each switch carries an IP67 rating for protection for the harshest of environments. The **PK Series** is available in three models that will switch on pressures ranges up to 5800 psi.

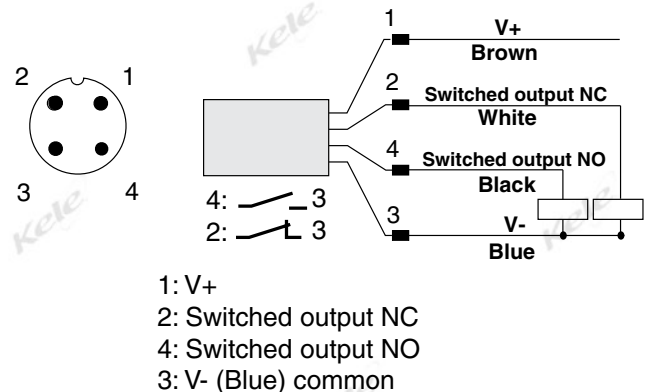
FEATURES

- *Two, easy to use dual setup dials*
- *Solid state electronics*
- *Two PNP switching outputs (1-NO, 1-NC)*
- *No software needed*
- *Local LEDs for power and switching status*

DIMENSIONS



WIRING



SPECIFICATIONS

Supply Voltage	9.6 to 32 VDC, <25mA
Contact Rating	0.5A DC PNP (sourcing)
Contact Type	1 NO, 1 NC, open collector transistor
Accuracy	<±2.5% of full scale
Repeatability	<±0.5% of full scale
Measurement Range	
PK6224	0 to 145 psi
PK6222	0 to 1450 psi
PK6220	0 to 5800 psi
Life Expectancy	50 million switching cycles
Visual Indication	Power Green LED Switching status Yellow LED (Energized = Switched)
Shock	50g (11ms)
Operating Temperature	-13° to 176°F (-25° to 80°C)

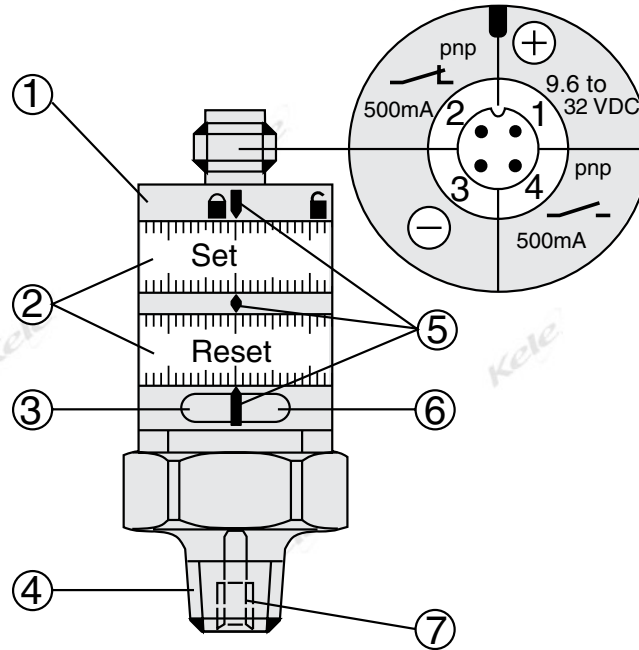
Wetted Parts	Stainless 316L
Media Temperature Range	-13° to 176°F (-25° to 80°C)
Enclosure Rating	IP67, PBT (Pocan); PC (Makrolon); FPM (Viton); stainless steel 316L
Process Connection	¼" NPT
Wiring Terminations	4 pin M12 Electrical connector (order separately)
Dimensions	1.06" diameter x 2.78"H (2.7 x 7.06 cm)
Approvals	UL File E174189, CE
Weight	0.2 lb (0.091 kg)
Warranty	2 years



PRESSURE

PRESSURE SWITCH PK SERIES

SETTING / CONNECTION DIAGRAM



- 1: Locking ring: unlock the pressure switch by rotating the locking ring (1) to the unlocked position
- 2: Set and Reset Rings: Set rings to desired "Set" and "Reset" positions
- Minimum distance between Set and Reset = 2% of the final value of the measuring range.
 - To obtain the setting accuracy: Set the rings to the minimum value, then set the requested value.

- 3: A green LED indicates power on and supply voltage normal
- 4: Process connection 1/4" NPT; tightening torque 25 Nm
- 5: Setting marks
- 6: Yellow LED: Set value reached, OUT1 = ON / OUT2 = OFF
- 7: internal thread M5

ORDERING INFORMATION

MODEL	DESCRIPTION
PK6220	PK Series pressure switch, 0 to 5800 psi, 1 NO 1 NC contacts
PK6222	PK Series pressure switch, 0 to 1450 psi, 1 NO 1 NC contacts
PK6224	PK Series pressure switch, 0 to 145 psi, 1 NO 1 NC contacts

Note: Must order connector with cable

RELATED PRODUCTS

EVC001	6' cable with straight M12 connector
EVC002	15' cable with straight M12 connector
EVC003	30' cable with straight M12 connector
EVC004	6' cable with right-angled M12 connector
EVC005	15' cable with right-angled M12 connector
EVC006	30' cable with right-angled M12 connector
EVC008	15' cable with right angled M12 connector with LED indication
EVC009	30' cable with right angled M12 connector with LED indication
E30094	PK Series protective cover